

Q6

3U Active Air Cooler

PRODUCT SPECIFICATIONS

Q6 | Socket LGA 1700

Model Number: Q6

- Recommended for Intel® Processors As Following
 - Intel® Alder Lake S Processor, Socket LGA 1700
- Active Cooler for Workstation, 3U Server & Up

Overall Specification

Dimension	91.0 x 91.0 x 110.0 mm (L x W x H)
Weight	539 ± 5 g
Material	Aluminum Fin + (4x) Heat Pipes with HCC enhancement
Heat Pipes	Smart Heat Pipes Orientation where Against Gravity
Fan	92 CM Plastic Fan with 4-Pin PWM Connector
Fan Mounting	Pre-installed solid PC Frame Clip for Cooling Fan mounting
Mounting Method	Easy Cooler Installation with Captive Mounting Screws
Backing Plate	Included
Thermal Grease	Shin-Etsu 7762 Thermal Compound Pre-Printed
TDP	Up to 125 Watts CPU Power Heat Dissipation

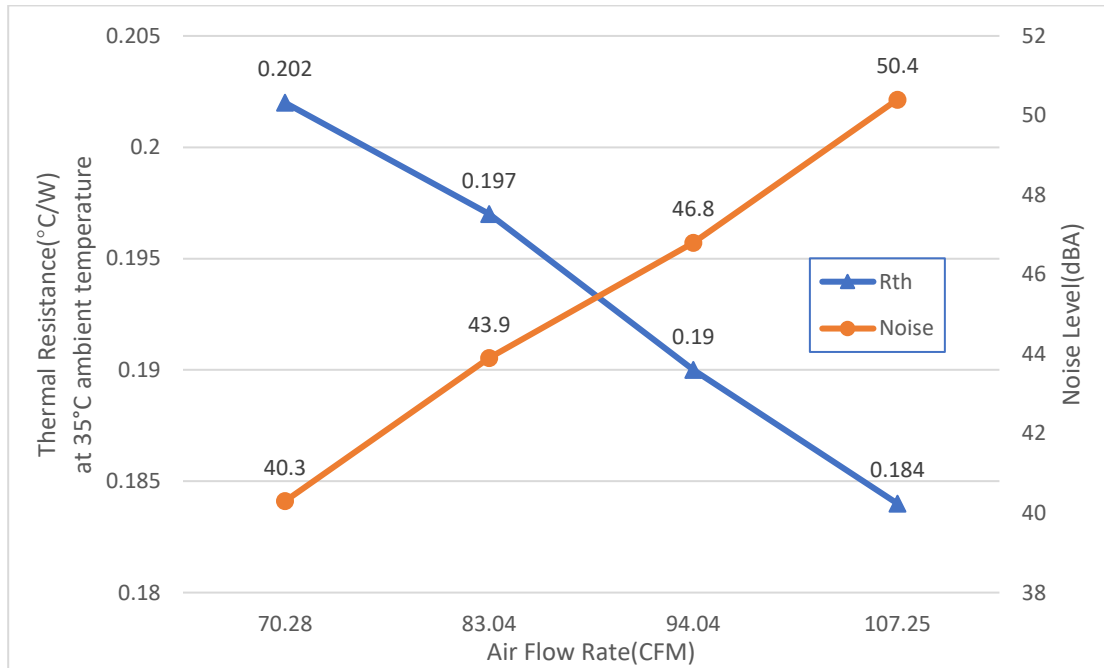
Cooling Fan Specification

Model Number	DF129225BU-PWMG
Dimension	Ø92 x 25 mm
Bearing	Double Ball
Rated Voltage	12V
Rated Speed	At Duty Cycle 0~20%: 1600± 200 RPM At Duty Cycle 50%: 2850±10% RPM At Duty Cycle 100%: 6000 ±10% RPM
Input Power	At Duty Cycle 0~20%:0.72 W At Duty Cycle 50%: 1.48 W At Duty Cycle 100%: 9.60 W
Maximum Airflow	At Duty Cycle 0~20%: 21.45 CFM At Duty Cycle 50%: 48.83 CFM At Duty Cycle 100%: 107.25 CFM
Rated Static Pressure	At Duty Cycle 0~20%: 0.68 mm-H2O At Duty Cycle 50%: 5.34 mm-H2O At Duty Cycle 100%: 17.10 mm-H2O
Acoustical Noise	At Duty Cycle 0~20%: 16.00 dBA At Duty Cycle 50%: 33.20 dBA At Duty Cycle 100%: 50.40 dBA
Lead Wire Pin Out	Pin#1- Black(-) Pin#2- Yellow(+)

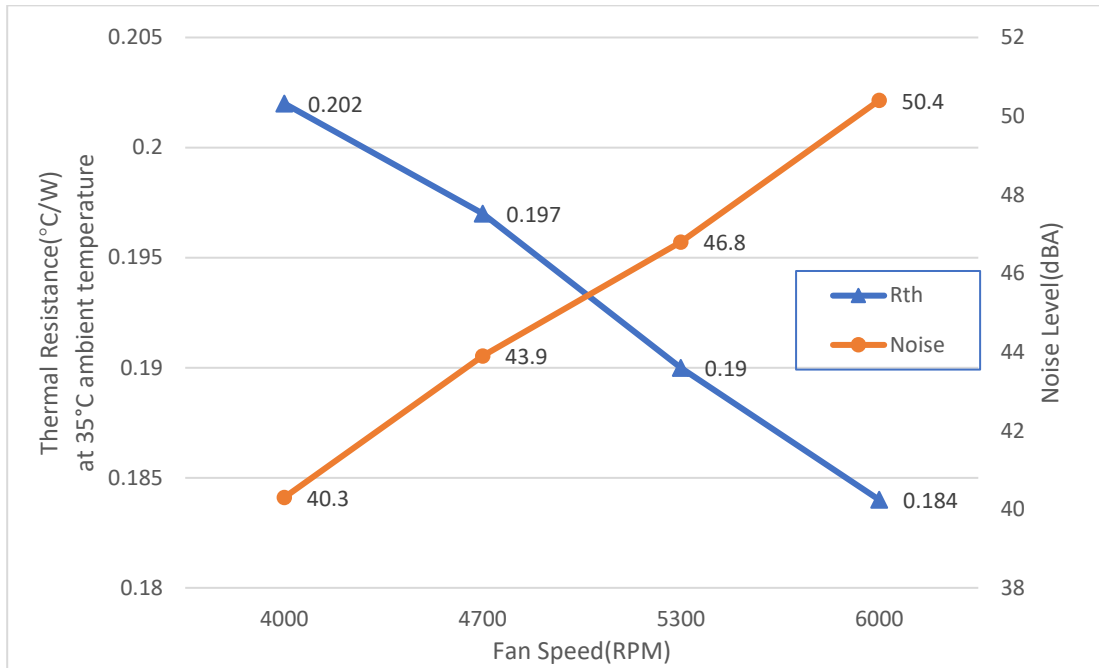
Q6 | Socket LGA 1700

Pin#3- Green(Tachometer/ Signal Output)
Pin#4- Blue (PWM)

Performance Chart: Active Cooler Q6 Thermal Resistance Cooling Performance vs. Airflow



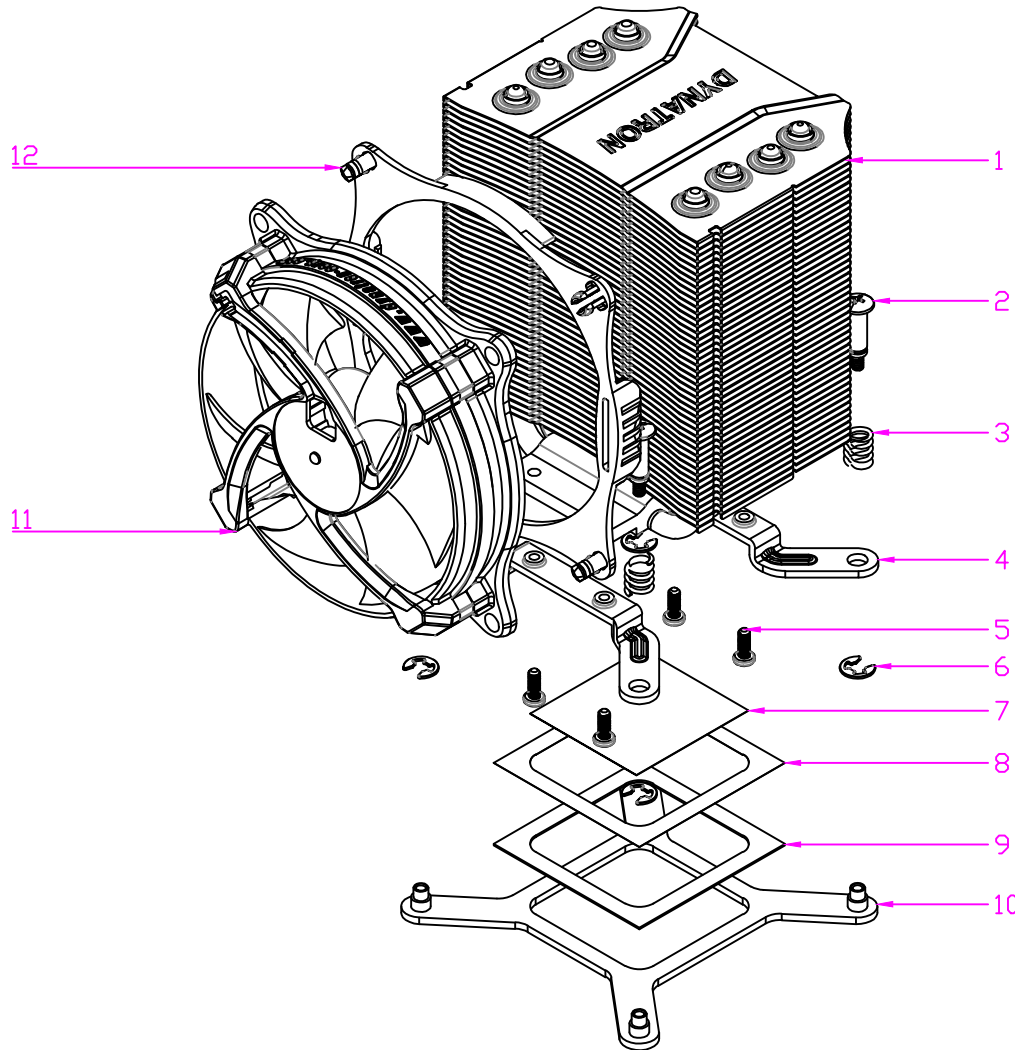
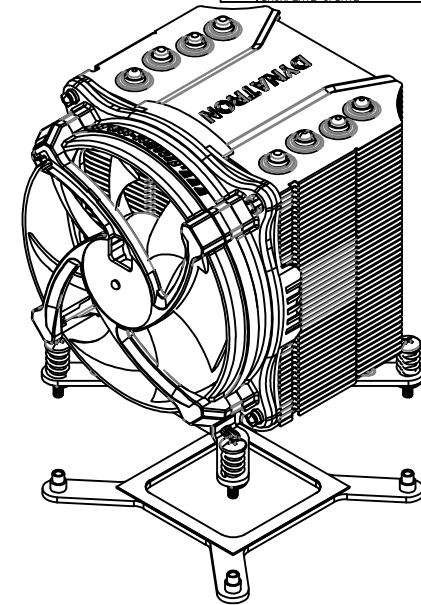
Cooling Performance vs. Fan Speed




CONFIDENTIAL DOCUMENT

THIS DRAWING CONTAINS INFORMATION PROPRIETARY TO DYNATRON CORPORATION AND DYNAMIN INDUSTRIAL CO., LTD. ANY REPRODUCTION, DISCLOSURE, OR USE OF THIS DRAWING IS EXPRESSLY PROHIBITED EXCEPT AS DYNATRON CORPORATION AND DYNAMIN INDUSTRIAL CO., LTD. MAY OTHERWISE AGREE TO IN WRITING.

REV#	DESCRIPTION	CHECKER	DATE
0.0	INITIAL RELEASE	J.OY	02/24/21
0.1	FAN MATERIAL	J.OY	09/09/21
1.1	BACKPLATE UPDATE	J.OY	10/07/21



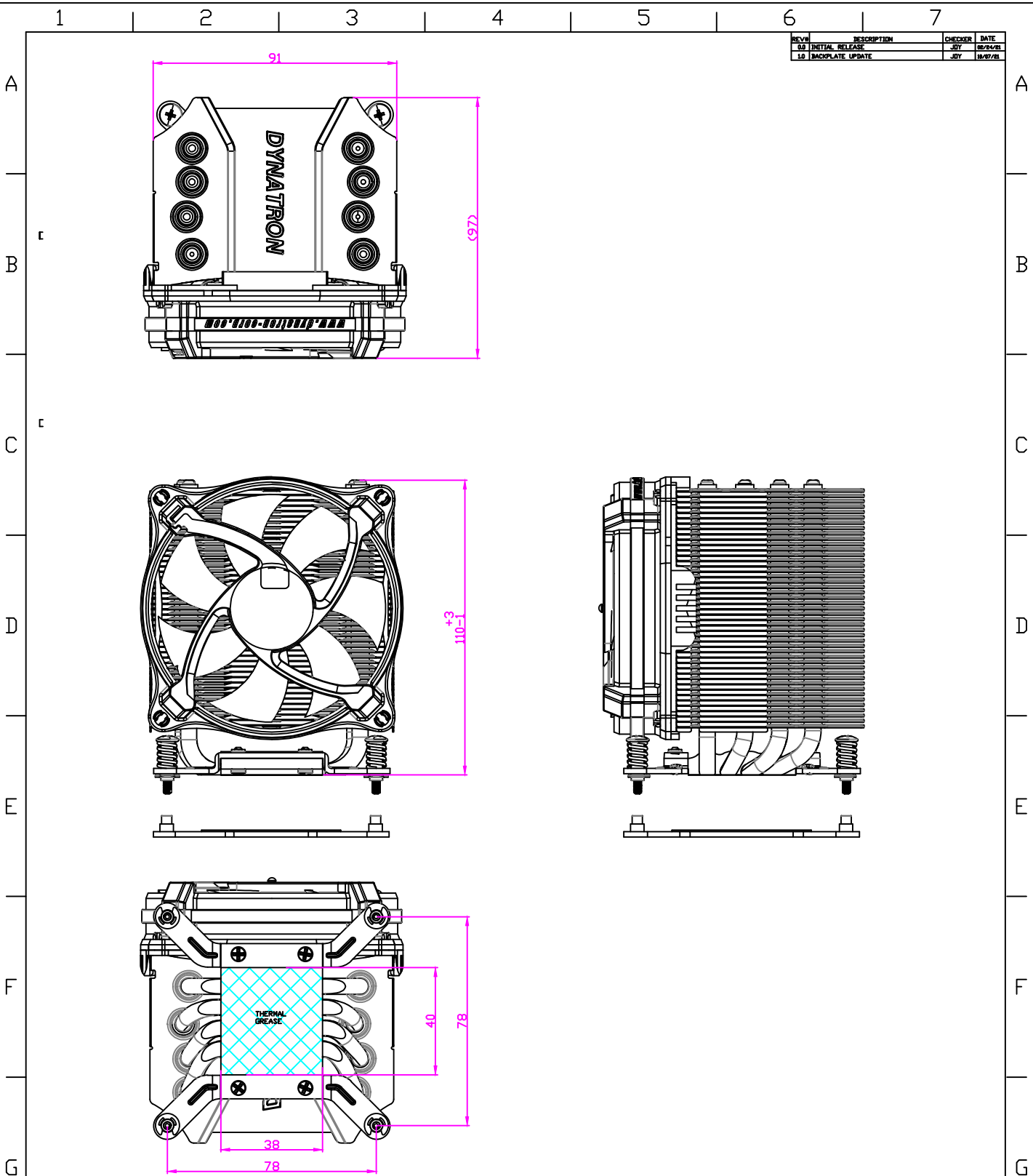
12	FAN BRACKET	PLASTIC(ABS)	1
11	FAN, DF129225BU-PWM	PLASTIC(PC)	1
10	BACKPLATE	SPCC	1
9	INSULATOR	FORMEX GK-17	1
8	ADHESIVE TAPE	3M	1
7	THERMAL GREASE	SHIN-ETSU 7762	1
6	C-RING	STEEL	4
5	BRACKET SCREW	STEEL	4
4	BRACKET	SK-7	2
3	SPRING	SUS 304	4
2	SCREW, HEATSINK	STEEL	4
1	HEATSINK	COPPER BASE + AL FIN+ HEATPIPE x4	1
ITEM #	DESCRIPTION	MATERIAL	QTY.

	DATE	NAME	 DYNATRON CORPORATION
DRAWN	02/24/21	enr.	
CHECKED	02/24/21	Joy	TITLE:
ENG. APPR.			3U Active Cooler Q6
MFG. APPR.			BOM & Exploded Assembly Drawing
QA			DWG. No:
COMMENTS:			DYN-EP-Q6
			REV
			1.1

NOTES:

1. OVERALL DIMENSION: 91.0x91.0x110.0 mm
2. THE FIGURE IS FOR REFERENCE ONLY, AND NOT FOR SCALE

REV#	DESCRIPTION	CHECKER	DATE
0.0	INITIAL RELEASE	JDY	02/24/21
1.0	BACKPLATE UPDATE	JDY	10/07/21



	NAME	DATE
DRAWN BY	ENGR	02/24/2021
CHECKED BY	ENGR	02/24/2021
ENG.APPROVED		
MFG.APPROVED	-	-



DYNATRON CORPORATION

TITLE: 3U ACTIVE COOLER Q6
Overall Dimension Drawing

CONFIDENTIAL DOCUMENT
THIS DRAWING CONTAINS INFORMATION PROPRIETARY TO DYNATRON CORPORATION AND DYNAEON INDUSTRIAL CO., LTD. ANY REPRODUCTION, DISCLOSURE, OR USE OF THIS DRAWING IS EXPRESSLY PROHIBITED EXCEPT AS DYNATRON CORPORATION AND DYNAEON INDUSTRIAL CO., LTD. MAY OTHERWISE AGREE TO IN WRITING.

VIEW		DWG. No:	REV.
UNITS	MM	DYN-BD-Q6	1.0